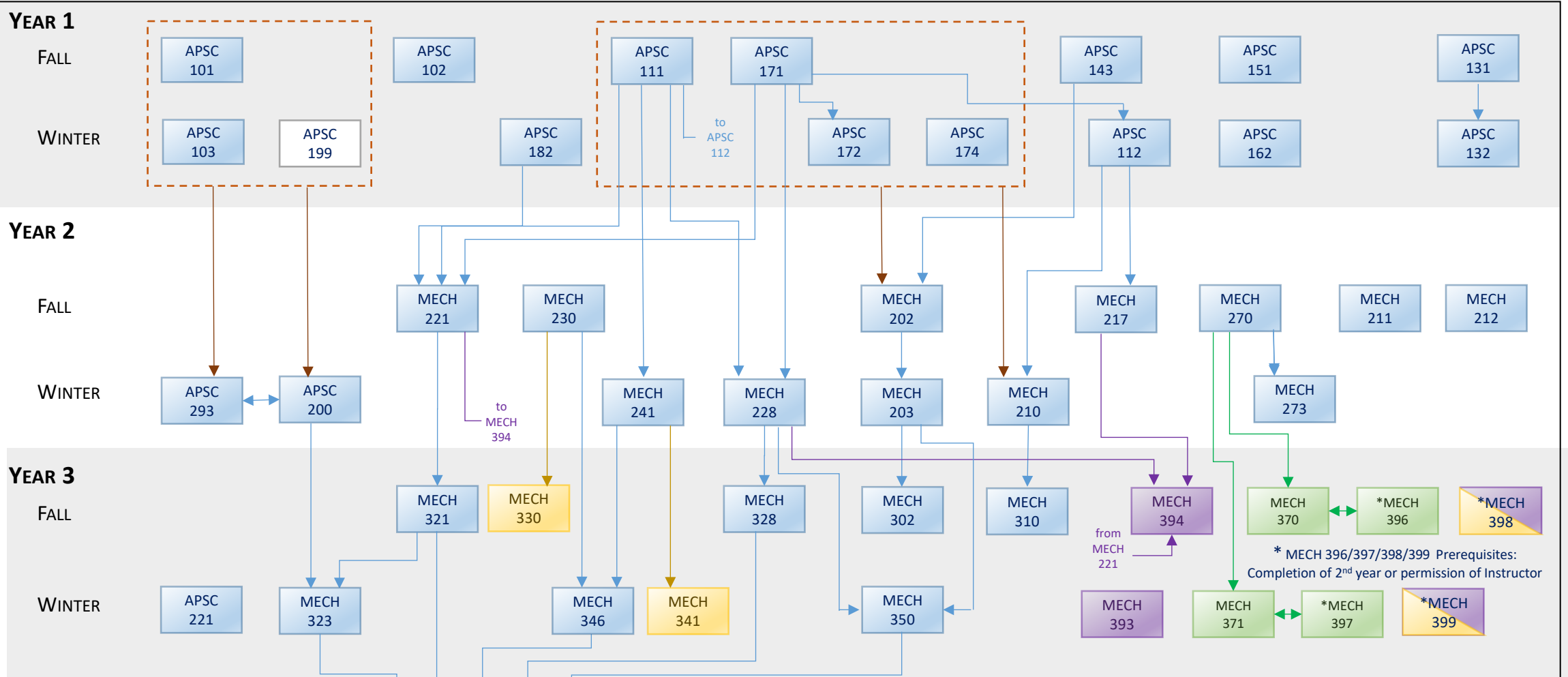
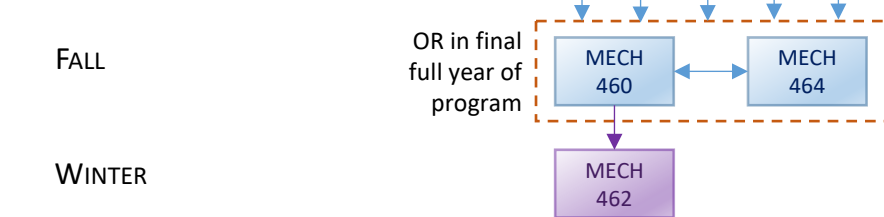


CORE Courses and Prerequisite Flowchart – Class of 2026

*Transfer students may be required to follow an alternate plan and will be reviewed on a case-by-case basis. Contact a Program Assistant at mme.advisor@queens.ca or McLaughlin Hall 201.



YEAR 4



Overall Program Requirements for all Options

Years 1, 2, 3 & 4 Core and Option-Core courses as outlined above.
 Nine (9.0) additional Complementary Study elective credits required (see Academic Calendar).
 Option-Specific Technical Elective credit requirements summarized below (Lists in Academic Calendar).

ME1 Requirements
 20.5 credits of technical electives.

ME2 Requirements
 20.5 credits of technical electives including 10 from List 2.

ME3 Requirements
 17 credits of technical electives including 10 from List 3.

Each student is personally responsible for meeting the graduation requirements of their own program!

See Academic Calendar for additional Technical Elective and Complementary Study requirements.