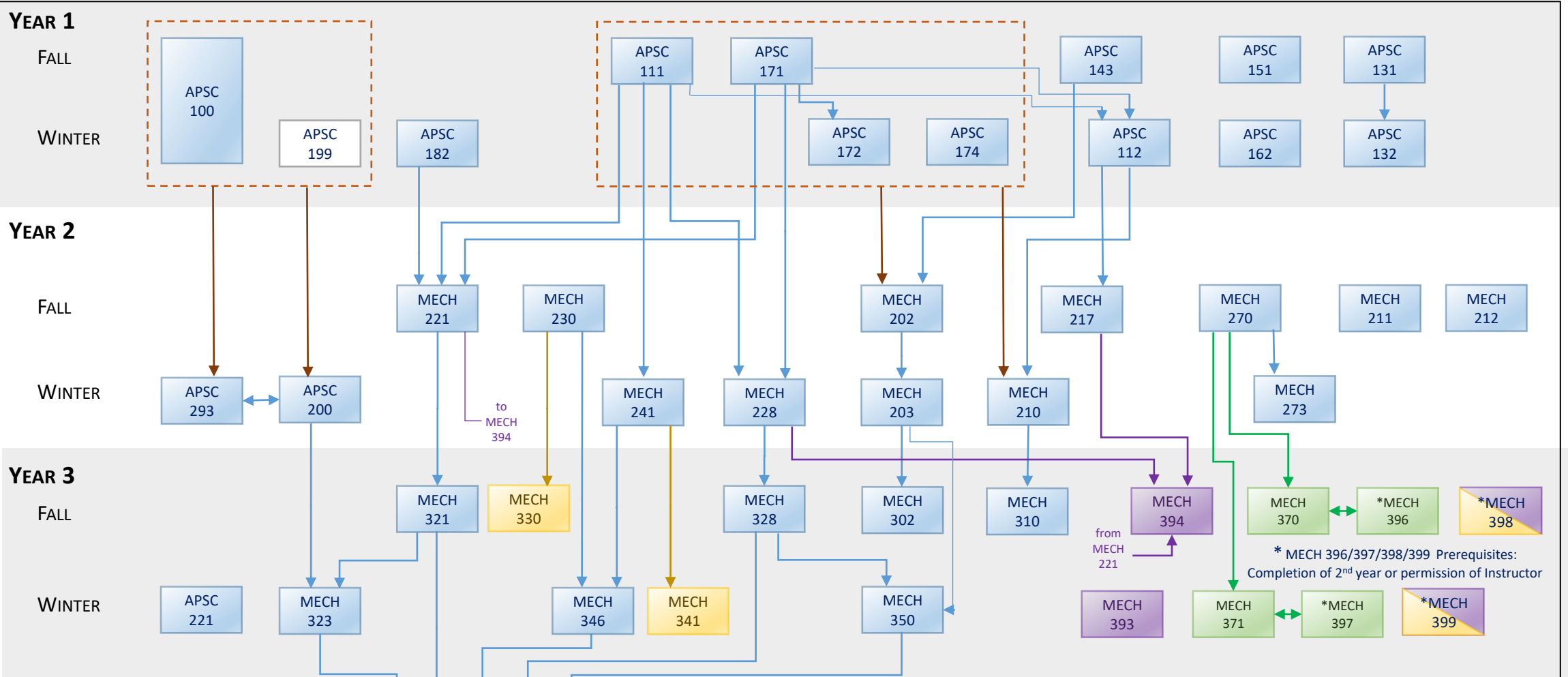


Core Courses and Prerequisite Flowchart – Class of 2025

Transfer students will be reviewed individually for potential course substitutions. Contact a Program Assistant in MECH Office, McLaughlin Hall 200.



Program Requirements for all Options

Year 1, 2, 3 & 4 Core and Option-Core Courses as shown above.

Technical Electives to meet Option-Specific requirements below and in the academic calendar.

9 credits of Complementary Studies (3 credits from List A, 6 credits from List A or B).

ME1 Requirements
20.5 credits of technical electives.

ME2 Requirements
20.5 credits of technical electives including 10 from list 2.

ME3 Requirements
17 credits of technical electives including 10 from list 3.

See the Academic Calendar for detailed option-specific Technical Elective requirements.

Each student is personally responsible for meeting the graduation requirements of their own program!